

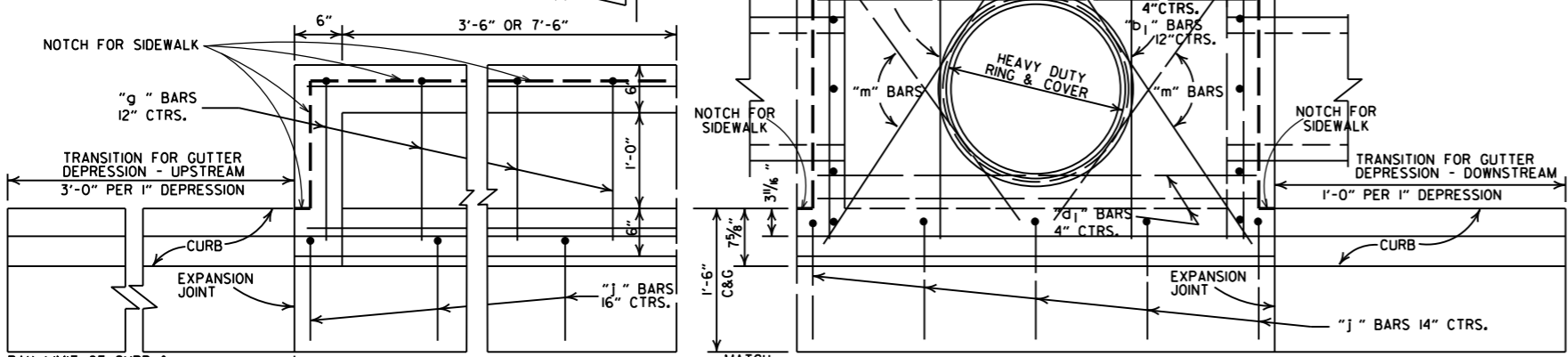
4'-0" LENGTH DROP INLET DROP INLET EXTENSION

PIPE SIZE	MIN. WIDTH	HEIGHT 5'-0"		PLUS OR MINUS PER LIN. FT. OF HEIGHT		4'-0"		8'-0"	
		CLASS A CONC.	REINF. STEEL	CLASS A CONC.	REINF. STEEL	CLASS A CONC.	REINF. STEEL	CLASS A CONC.	REINF. STEEL
		CU. YDS.	POUNDS	CU. YDS.	POUNDS	CU. YDS.	POUNDS	CU. YDS.	POUNDS
18"	2'-6"	1.77	156	0.28	22	0.58	38	0.87	72
24"	2'-6"	1.79	156	0.28	22				
30"	3'-2"	2.39	205	0.30	26				
36"	3'-8"	2.63	236	0.32	28				
42"	4'-4"	2.95	250	0.34	30				
48"	4'-10"	3.21	265	0.36	32				
						DEDUCT FROM QUANTITY COMPUTED FOR EACH EXTENSION ADDED.			
						0.04	3		

NOTE: QUANTITIES ARE APPROXIMATE AND ARE SHOWN FOR BIDDER INFORMATION ONLY.

NOTE: WHEN AN INLET IS PLACED ADJACENT TO CONCRETE PAVEMENT, THE GUTTER DEPRESSION SHALL BE FORMED IN CONCRETE PAVEMENT.

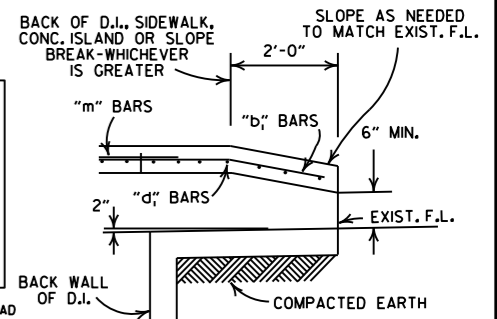
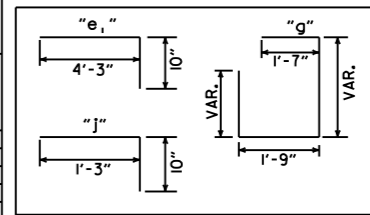
PLAN



DEDUCT FROM QUANTITY COMPUTED FOR EACH PIPE ENTERING INLET

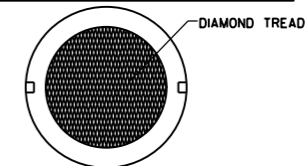
INSIDE DIA. PIPE	CLASS A CONC.	REINF. STEEL
INCHES	CU. YDS.	POUNDS
18	0.05	2
24	0.09	3
30	0.13	4
42	0.24	8

BAR DIAGRAM



BACK OPENING

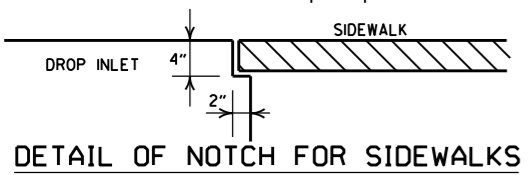
WHEN OPENING IN BACK IS CALLED FOR ON PLANS EXTEND OPENING AS SHOWN IN DETAIL. PAYMENT TO BE INCLUDED IN PRICE BID FOR DROP INLET (TYPE C).



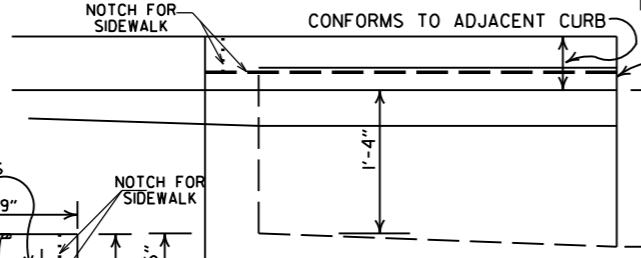
APPROXIMATE TOTAL WEIGHT = 333 LBS.

HEAVY DUTY RING & COVER

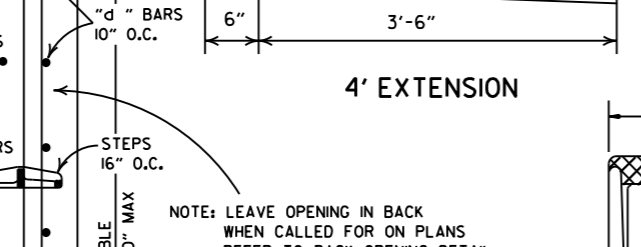
- GENERAL NOTES:
- ALL EXPOSED CORNERS TO HAVE 3/4" CHAMFER.
 - STEPS SHALL BE INSTALLED IN ALL INLETS 4'-0" HIGH AND OVER OF AS APPROVED BY THE ENGINEER.
 - ALL REINF. BARS SHALL BE #4 AND HAVE 1/2" COVER.
 - DROP INLETS AND EXTENSION ON CURVED SECTIONS SHALL CONFORM TO THE CURVATURE OF THE CURB.
 - THIS DROP INLET MAY BE CONSTRUCTED ON NEW OR EXISTING R.C. BOX CULVERT AS SHOWN ON F.P.C.-9.
 - WHEN PLANS CALL FOR DROP INLET OVER 10'-0" HIGH, FLOOR AND WALLS SHALL BE CONSTRUCTED AS SHOWN FOR TYPE "RM" DROP INLET (FPC-9D).
 - HEAVY DUTY RING SHALL ALWAYS BE INSTALLED WITH FLANGE ON TOP.
 - DURING CONSTRUCTION OF THE ROADWAY THE CONTRACTOR SHALL MAINTAIN DRAINAGE INTO OR AROUND THE DROP INLET AS APPROVED BY THE ENGINEER.
 - PAYMENT FOR CURB AND/OR CURB AND GUTTER WITHIN THE LIMITS OF DROP INLETS AND DROP INLET EXTENSIONS SHALL BE CONSIDERED INCLUDED IN PAYMENT MADE FOR DROP INLETS AND/OR DROP INLET EXTENSIONS.
 - HEAVY DUTY RING AND COVER SHALL BE CONSTRUCTED OF CAST IRON AND SHALL CONFORM TO THE REQUIREMENTS OF THE STANDARD SPECIFICATIONS FOR GRAY IRON CASTINGS AASHTO M105 CLASS 35B & AASHTO M306.
 - HEAVY DUTY RING AND COVER SHALL NOT BE PAINTED.
 - 4"x2" NOTCH SHALL BE FORMED IN ALL DROP INLETS TO SUPPORT SIDEWALK CONSTRUCTION. REFER TO DETAIL OF NOTCH FOR SIDEWALKS.
 - DIMENSIONS SHOWN FOR RING AND COVER ARE TYPICAL. THE CONTRACTOR MAY SUBSTITUTE SIMILAR CASTINGS WITH THE APPROVAL OF THE ENGINEER. REQUESTING APPROVAL FOR CASTING DESIGNS MAY BE MADE BY REFERRING TO PREVIOUSLY APPROVED DRAWINGS.



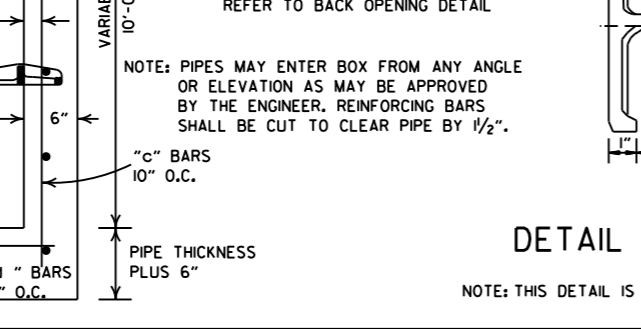
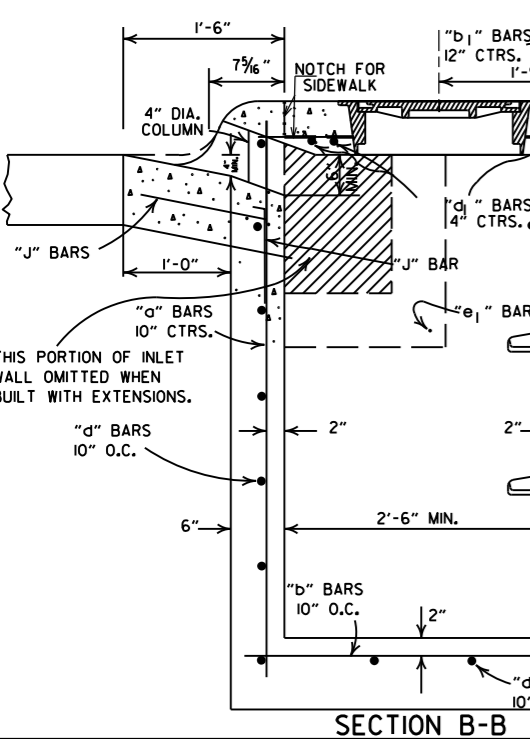
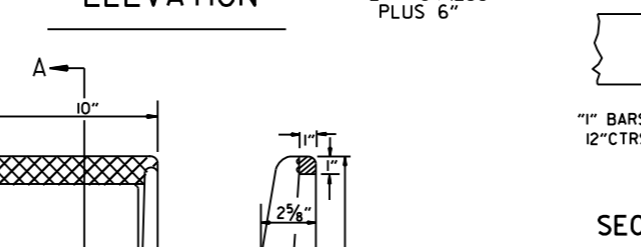
8' EXTENSION



4' EXTENSION



ELEVATION



PLAN SECTION A-A

DETAIL OF STEP FOR DROP INLET
 APPROX. WEIGHT = 11 LBS. (CAST IRON)
 NOTE: THIS DETAIL IS TYPICAL. OTHERS MAY BE USED WITH PRIOR APPROVAL OF THE ENGINEER.

DATE	REV.	REVISION	DATE FILMED
8-22-02		ADDED PAY LIMIT CURB NOTES TO SECTIONS A-A & B-B	
11-16-01		ADDED NOTE 13; REVISED SECTION B-B	
1-12-00		CORRECTED DIMENSION ON SECTION B-B & REVISED RING & COVER	
5-13-99		ADDED DETAIL OF NOTCH FOR SIDEWALKS	
7-02-98		REPLACED RING & COVER W/HEAVY DUTY RING & COVER	
10-18-96		ADDED NOTES 9,10,&11	
4-26-96		CORRECTED SPELLING	
4-1-95		ADDED NOTE 8 & REVISED (4'x8') EXTENSION TITLES	10-18-96
8-15-91		REVISED BACK OPENING & NOTE	
7-15-88		DELETE TYPE IV GRATE	
5-20-83		REVISED STEP DETAIL	
2-4-83		REVISED DETAILS OF GRATES (TYPE IV & IV-A)	
3-2-81		ADDED GENERAL NOTE NO. 4	
10-2-72		ADDED TYPE IV-A GRATE	
		DELETED INLET (TYPE F) & GRATE (TYPE III)	
		REVISED AND REDRAWN	

ARKANSAS STATE HIGHWAY COMMISSION

DETAILS OF DROP INLETS
(TYPE C)

STANDARD DRAWING FPC-9E